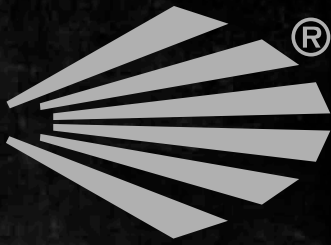


SAGOLA

an Elcometer company



Precision solutions
for tiny details
and retouches

Body
very light
injected aluminium
Atomization
Highest quality



475 XTECH

**Professional
Spray gun Mini**
**Special
retouches /
Airbrushing**



R5 Aircap
Maximum precision

Box presentation

w w w . s a g o l a . c o m



475 XTECH

SAGOLA
an Elcometer company

MINI AEROGRAPHIC SPRAY GUN FOR RETOUCHES

HIGH QUALITY OF ATOMIZATION!

Super LIGHT weight for its injected aluminum body.
Large variety of nozzles and solutions. Robust and ergonomics.
Mini aerographic gravity spray gun with deposit of 125 c.c.
High quality deposit. Incorporates paint filter.
New Air Regulator.
High transfer and low air consumption.

R5 Aircap

Obtains the maximum precision at the tiniest feathering. Similar to an airbrush. Nozzle of 0.5 mm.

05 Aircap

High quality spray at feathering and retouches. Nozzles of 0.5 and 0.8 mm.

10 Aircap

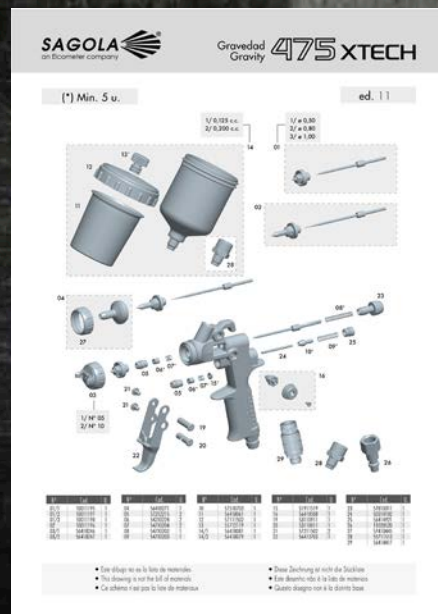
Quick and versatile. Metals and clearcoats. Nozzle of 1.0 mm.

TECHNICAL DATA

Weight with cup: 330 g.
Air inlet coupling: 1/4" M
Incorporate a 100-mesh paint filter
Working max. pressure: 2-3 bar
Deposit capacity: 125 c.c.
Air consumption: 100 L/min. [05],
110 L/min. [10], 45 L/min. [R5]

SALES CODES

20140801 0.5 [05]
20140802 0.8 [05]
20140803 1.0 [10]
20140804 0.5 [R5]



SAGOLA
an Elcometer company

SAGOLA S.A.U.
Urarteaga, 6 · 01010
Vitoria-Gasteiz (Álava) SPAIN
Tel.: (+34) 945 214 150
Fax: (+34) 945 214 147
sagola@sagola.com
www.sagola.com



DEALER'S STAMP

